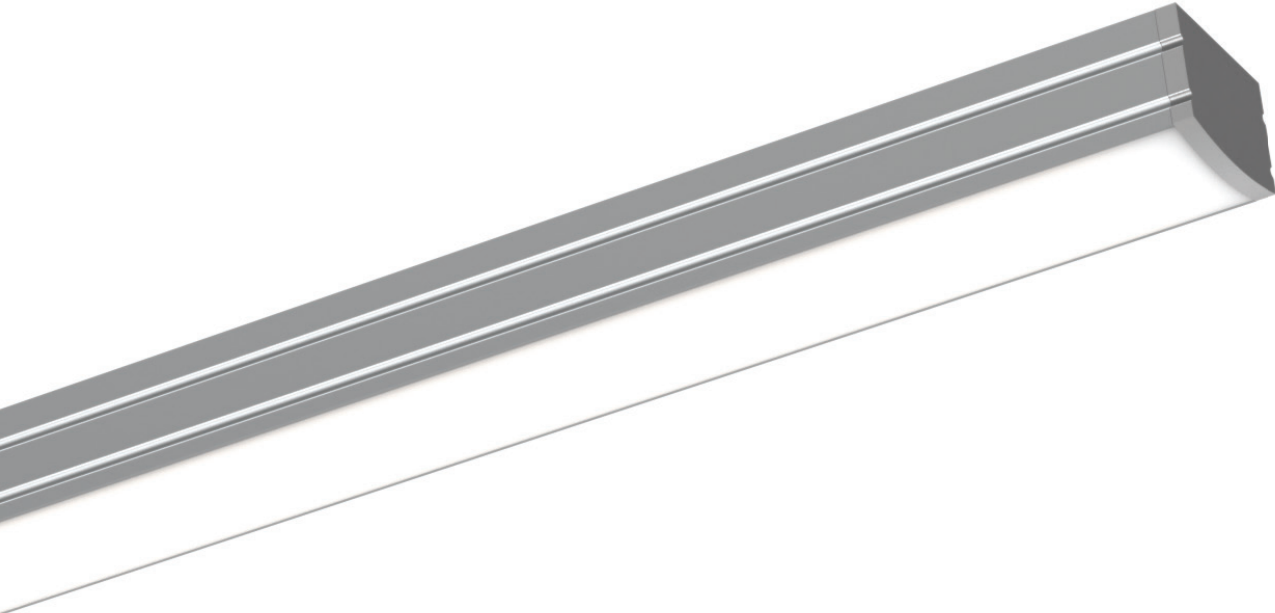
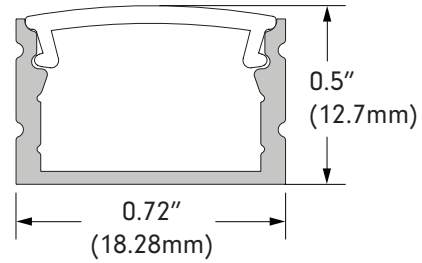
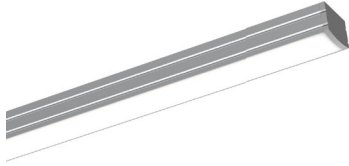


# MOFFETT

Design Guide



Profile & Dimensions



Available TivoTape Options - Indoor

<p><b>DEFINE</b> SB HO LB</p>	<p><b>ELITE</b> SB HO</p>	<p><b>ELITE+</b> Standard Pro Vision Flow</p>	<p><b>FUSE24</b> RGB RGBW</p>	<p><b>FUSE12</b> PiXEL RGB</p>
---	-----------------------------------	---	---------------------------------------	------------------------------------

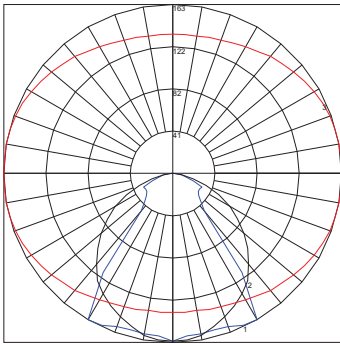
Available TivoTape Options - Outdoor

<p><b>DEFINE</b> SB HO LB</p>	<p><b>FUSE24</b> RGB</p>	<p><b>FUSE12</b> PiXEL RGB</p>
---	------------------------------	------------------------------------

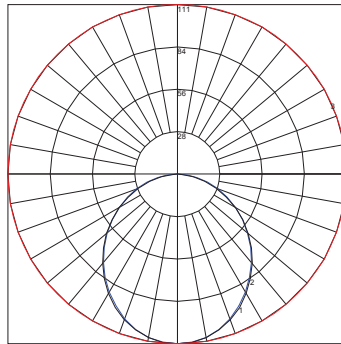
Ordering Information

<p><b>MOFT-CHAN-SLV-6.5</b> Anodized Aluminum Extrusion, available in 6.5' lengths</p>	<p><b>MOFT-LNS-XXX-6.5</b> <b>XXX</b> = OPL (Opal), CLR (Clear), DIF (Diffused) PC lens, sold in 6.5' lengths</p>	<p><b>MOFT-LNS-SIL-XX</b> <b>XX</b> = 50 (50'), 100 (100') Silicone lens, sold by roll</p>	<p><b>MOFT-CLP-SLV</b> Metal clip</p>
<p><b>MOFT-EC-01</b> Solid End Cap</p>	<p><b>MOFT-EC-02</b> Powerfeed End Cap</p>		

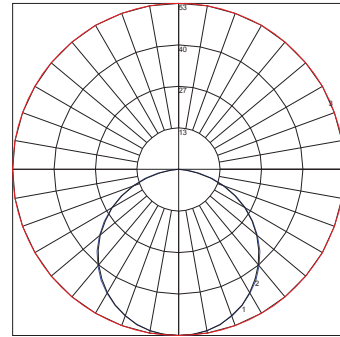
Photometrics (based on 30K HO ELITE)



**MOFETT WITH CLEAR LENS**  
 Lumens per foot: 364.83  
 Watts per foot: 4  
 CRI : 94.8  
 Peak Candela: 163

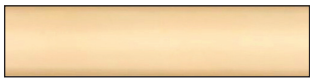


**MOFETT WITH DIFFUSED LENS**  
 Lumens per foot: 299.44  
 Watts per foot: 4  
 CRI : 95.4  
 Peak Candela: 111.34



**MOFETT WITH OPAL LENS**  
 Lumens per foot: 157.34  
 Watts per foot: 4  
 CRI : 97.6  
 Peak Candela: 53.14

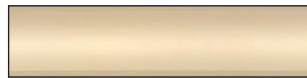
Diode Visibility



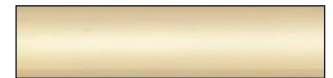
Opal lens



Clear lens



Diffused lens



Silicone lens

